



CO₂ SCRUBBER

Model: SRC-01-A/B



Complete scrubber unit SCR-01-A

The CO₂ scrubber unit is used in diving bell and hyperbaric chambers to reduce CO₂ level in the atmosphere. The unit fan produce a gas flow through the scrubber canister filled with CO₂ adsorbent material, such as sodalime. While the hyperbaric ambient air passes through the sodalime it is “scrubbed” of carbon dioxide molecules.

The scrubber is provided with an high performance axial fan driven by a brushless DC motor electrically protected against blocking, overloading and reverse polarity. The brushless design make the fan perfectly

safe with high oxygen level and the IP54 protection guarantee optimal performances and long service life even in dusty and high humidity condition.

The canister can hold between 5kg and 9kg of sodalime and it is connected to the motor base by quick lever closure mechanism in order to replace/refill the canister easily.

Key points

- Completely manufactured of stainless steel High resistance to corrosion and hard structure
- Variable air flow by means of varying the supply voltage range
- Low noise level (60dB)
- Double canister size 5kg (diving bells) and 9kg (hyperbaric chambers) (hyperbaric chambers) of sodalime capacity; completely interchangeable

MODEL INFO

- Hyperbaric chamber scrubber SCR-01-A (9kg canister)
- Diving bell scrubber SCR-01-B (5.7kg canister)

Res Marina s.r.l.

Via del Trabaccolo,18- 48122 Ravenna (RA) – Italy
tel. +39 0544 201438 – fax +39 0544 531015

resmarina@resmarina.com - www.resmarina.com

C.F./P.IVA/Reg. Impr. RA 02356960399 – REA n. RA 194673





TECHNICAL DATA

Dimensions

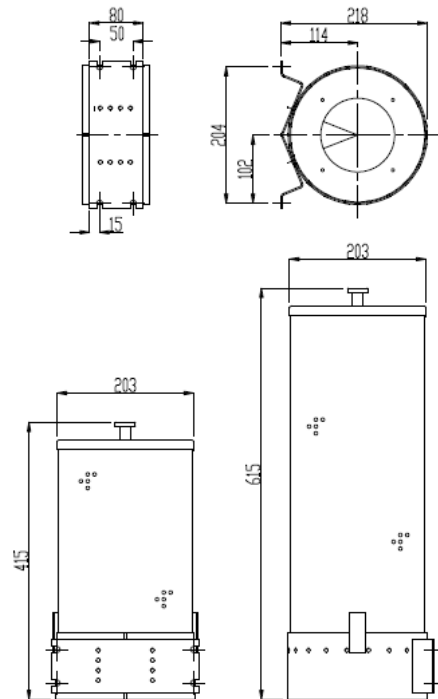
Overall height SCR-01-A:	615mm (24.2in)
Overall height SCR-01-B	415mm (16.3in)
Overall width:	218 mm (8.6in)
Canister A height:	503mm (19.8in)
Canister A diameter:	203mm (8.0in)
Canister B height:	303mm (11.9in)
Canister B diameter:	203mm (8.0in)

Weights

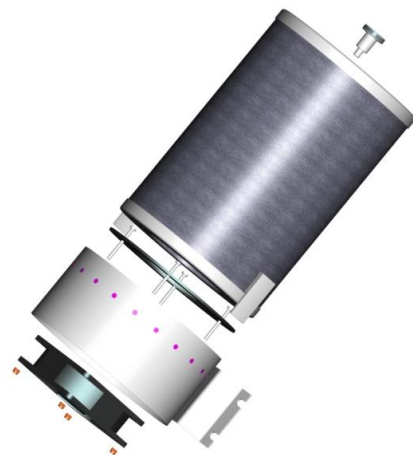
Overall weight (empty can.)	8kg (17.6lb)
SCR-01-A	
Overall weight (empty can.)	6.5kg (14.3lb)
SCR-01-B	
Canister A weight (empty)	4.8kg (10.6lb)
Canister A sodalime capacity:	9kg (19.8lb)
Canister B weight (empty):	3.3kg (7.3lb)
Canister B sodalime capacity:	5.7kg (12.6lb)

Power supply	12-25V DC
	570mA
Fun power	13.6W
Rotating speed	4900rpm
(without canister, atmospheric pressure)	

Nominal flow rate	1m ³ /min
Noise level	60dB
Maximum operating range	400msw



Dimensions and mounting base characteristic



Scrubber model SCR-01-B

Res Marina s.r.l.

Via del Trabaccolo,18- 48122 Ravenna (RA) – Italy
tel. +39 0544 201438 – fax +39 0544 531015
resmarina@resmarina.com - www.resmarina.com
C.F./P.IVA/Reg. Impr. RA 02356960399 – REA n. RA 194673

